



SuperSystems
incorporated

SIMPLE DEW DIGITAL DEW POINT ANALYZER OPERATIONS MANUAL

Super Systems Inc.
7205 Edington Drive
Cincinnati, OH 45249
513-772-0060
Fax: 513-772-9466
www.supersystems.com

Simple Dew Digital Dew Point Analyzer Operations Manual

Super Systems Inc.

USA Office

Corporate Headquarters:

7205 Edington Drive

Shipping Address:

7245 Edington Drive

Cincinnati, OH 45249

Phone: (513) 772-0060

<http://www.supersystems.com>

Super Systems Europe

Unit E, Tyburn Trading Estate,

Ashold Farm Road, Birmingham

B24 9QG

UNITED KINGDOM

Phone: +44 (0) 121 306 5180

<http://www.supersystemseurope.com>

Super Systems México

Sistemas Superiores Integrales S de RL de CV

Acceso IV No. 31 Int. H Parque Industrial

Benito Juarez

C.P. 76120 Queretaro, Qro.

Phone: +52 442 210 2459

<http://www.supersystems.com.mx>

Super Systems China

No. 369 XianXia Road

Room 703

Shanghai, CHINA

200336

Phone: +86 21 5206 5701/2

<http://www.supersystems.cn>

Super Systems India Pvt. Ltd.

A-26 Mezzanine Floor, FIEE Complex,

Okhla Indl. Area, Phase - 2

New Delhi, India 110 020

Phone: +91 11 41050097

<http://www.supersystemsindia.com>

Simple Dew Digital Dew Point Analyzer Operations Manual

Table of Contents

Introduction.....	4
Specifications.....	4
Warnings.....	4
Startup.....	4
Operation.....	5
Instrument Damage.....	5
What Is Dew Point?.....	6
How It Works.....	7
Maintenance/Safety Issues.....	7
Factory Calibration.....	7
Field Calibration.....	7
Replacement Parts.....	11
Troubleshooting.....	12
Unit doesn't power up:.....	12
Dew point reading shows 80°F and never drops:.....	12
Drying out the Simple Dew analyzer:.....	13
Option 1:.....	13
Option 2:.....	14
No visible flow is shown in the flow meter:.....	16
Display appears to be locked up and never changes (not at 80°F):.....	17
Display reads -50 (indicating that the sensor failed):.....	17
Display reads higher than normal and does not match other dew point equipment:.....	18
Returning the Unit to SSi.....	18
Warranty.....	19
Revision History.....	20
Appendix A: Determining the Sensor Temperature in °F.....	21
Appendix B: Determining the Sensor Temperature in °C.....	22
Appendix C: Determining the Dew Point in °F.....	23
Appendix D: Determining the Dew Point in °C.....	24
Appendix E: Internal Photos and Components.....	25
Appendix F: Electrical Schematic.....	28

Simple Dew Digital Dew Point Analyzer Operations Manual

Introduction

Thank you for selecting Super Systems Inc. and the Simple Dew as your source for accurate dew point measurements. The Simple Dew unit is a digital dew point analyzer for standard range (greater than 0°F or -18°C) measurement. Typical uses of the Simple Dew include measurement of endothermic atmospheres (with endothermic generators) and nitrogen/methanol atmospheres, as well as use with plant air systems.

Carefully unpack the Simple Dew - Dew Point Analyzer. If there are any signs of shipping damage, notify SSI and the shipper immediately.

Specifications

Measurement Range:	0 to +80°F (-18 to +27°C)
Temperature Range:	0 to +120°F (-18 to +49°C)
Power Supply:	115 to 230 VAC (universal input)—for Part No. 13134 24VDC input—for Part No. 13136
Retransmission Output:	0-1 Volt (range is -50 to +80°F / -45 to +27°C)
Size (Closed Case):	15. 5" x 13.5" x 8.25" (approximately)
Weight:	15 lbs (6.8 kg) (Approximately)

Warnings

Although it is intended for use in an industrial environment, the Simple Dew is a sensitive piece of analysis equipment. Care should be taken not to drop the analyzer or to operate it in a manner inconsistent with its intended use.

- Open all sample ports and remove all soot and/or moisture from the lines prior to attaching the sample tubing for the first time.
- The analyzer should be stored at ambient temperature (65-80°F or 18-27°C) for at least two hours prior to operation.
- If the unit is to be returned to SSI for service or any other reason, protect the instrument with at least four inches of foam or other impact-absorbing material on all sides and place it in an appropriately sized cardboard box.
- This unit is not designed to measure the dew points in corrosive gases, such as Ammonia, SO₃, Chlorine, and HCL.
- Please read and understand this Product Manual before operating the unit.

Failure to comply with these conditions may cause damage to the unit that will not be covered under the warranty. Super Systems Inc. is not responsible for damage to this unit caused by disregard of these warnings, neglect, or misuse.

Startup

The Simple Dew unit was calibrated before it was shipped from Super Systems Inc. You can begin typical operation as soon as the unit has been allowed to stabilize in a temperature similar to the temperature in the heat treating department. This stabilization is particularly important for units that may have been sitting overnight in a delivery vehicle in freezing

weather. Rapid temperature change can cause condensation on the sensor which will cause the unit to temporarily display inaccurate readings.

Operation

The use of the Simple Dew is somewhat dependent upon the application. For connection to an endothermic generator, no pump is required since the sample gas is under positive pressure. If this instrument is to be used on a furnace or other non-positive pressure application, an external sample pump will be required to deliver the gas to the sensor.

Be sure that the filter (mounted to the right side of the instrument) is clean and functional, since high accumulations of soot can hold moisture and influence the dew point measurement. It will also prevent soot and other contaminants from entering the unit and damaging the sensor. The optimum flow rate of the sample gas should be between 1.5 and 2.0 Standard Cubic Feet per Hour (SCFH), although a flow rate as low as 1.0 SCFH is acceptable. If the unit is reading less than 1.0 SCFH, verify that there are no obstructions to the flow such as a clogged sample line or filter, or a poorly adjusted knob on the Simple Dew's flow meter.

Heat Treat Furnace Sampling: A gas sample must be extracted from the process using an external pump. The sample tube from which the sample is taken out of the furnace should extend into the furnace past the HOT face of the refractory. For accurate results, a designated sample port should be used to extract the sample. SSI offers two versions of sample port assemblies (part numbers 20263 and 20264) which are ideal for this purpose. If a designated sample port is not available, then a clean "burn-off" port on a Gold Probe™, an industry leading oxygen sensor for atmosphere control, can be used. Readings taken from the burn-off port on a probe may be artificially high due to the presence of soot in the probe sheath.

Endothermic Generator Sampling: For applications under pressure, the flow is controlled by the small restriction valve on the flow meter. A flow rate between 1.5 and 2.0 SCFH is ideal. The sample should be taken from the endothermic gas manifold after the gas has been cooled.

NOTE: Allow the sample port to blow out any soot and / or water before connecting the sample tube. Failure to do so will result in inaccurate readings and expose the sensor to potential damage.

Instrument Damage

The main causes of damage to the Simple Dew are the ingestion of soot and the ingestion of water. Both of these contaminants will cause erroneous readings in the short term, and cause long-term damage to the sensor and internal components.

Soot / Particulate Contaminants

When taking a sample from a furnace or a generator, care should be taken to reduce the amount of soot that enters the instrument. The filter will trap these particles, but cleaning the sample line before attaching the Simple Dew will increase the life of the filter. Furnace ports can be burned off by pumping air through them while hot, or by removing them from the heat and mechanically cleaning them. Generator ports should be opened before the instrument is attached to allow any particulate buildup to be blown out. It is also helpful to tap on the port while it is being blown out to eject any loose particles before the instrument is attached.

If soot is allowed to collect on the dew point sensor in the instrument, it could result in higher readings. This soot will also retain moisture than can corrode the sensor over time. The sensor

tip can be cleaned by carefully removing it from the sample block (see Section 2.0 of the Field Calibration instructions) and rinsing it in isopropyl alcohol. The power should be off while this is done, and the power should remain off for at least 30 minutes after this procedure to allow all of the alcohol to completely evaporate.

Water / Moisture Contamination

When a furnace or generator is being started up or cooled down, the resulting gases will contain unusually high amounts of CO₂ and H₂O. When these gases cool, moisture will precipitate out and become condensation inside the sample tubing assembly. Even if the furnace or generator is operating normally, residual moisture may still be present in the sample tube or plumbing system. In the same way that the ports are checked for soot (see above) they should be checked for moisture before attaching the instrument. This is especially important when taking a sample from a generator, since the sample port is usually preceded by a significant amount of plumbing. All traces of moisture should be eliminated before attaching the instrument. Failure to do so will result in erroneous measurements and could result in damage to the analyzer.

The first signs of moisture in the instrument will be visible condensation collecting in the bowl filter and an unusually high dew point. The upper range of the sensor is +80°F (27°C), so if that value is displayed on the instrument it is probably due to the presence of moisture. If this moisture is not removed, it will cause the sensor tip to corrode and will eventually require the sensor to be replaced.

To remove moisture from the instrument, the filter should be removed from the instrument (since it will probably be wet) and a dry gas such as nitrogen or argon should then be flowed through the instrument for as much time as it takes to dry out. This dry-out time will depend on the amount of moisture present in the instrument. The condition of the sensor can be monitored by periodically reading the dew point from the display and watching the value decrease over time. To test if it is operating properly, verify the ambient dew point against a web-based weather station that will report the ambient dew point for your area. If the displayed reading is within three degrees (3°) of the reported dew point when the instrument is taken outside, then all of the moisture has probably been successfully removed. The wet filter and sample tubing can be re-attached after they have been completely dried out. The filter element will regain all of its original filtering properties after it has dried out.

To prevent the possibility of moisture damaging the instrument, be sure that the measured dew point is below ambient levels before it is stored. If necessary, nitrogen or argon can be used to purge the instrument after use.

What Is Dew Point?

Dew point can be defined as the temperature at which the water vapor pressure of the gas equals the saturated water vapor pressure. In other words, it is the temperature at which condensation will just begin to occur as the gas is cooled. Dew point and relative humidity are not the same measurement. Relative humidity is the amount of water vapor in the air compared to the amount the air could hold if it was totally saturated, and it is expressed as a percentage, not a temperature. To determine dew point, two main variables are required: Relative Humidity and Temperature. The Simple Dew measures both variables to compute the dew point.

How It Works

The dew point sensor is a “dielectric ceramic” that varies its electrical capacitance with changes in relative humidity. The sensor is mounted in a short probe, which is installed in a T-fitting that allows the sample gas to flow past the sensor. The tip of this probe contains the dielectric ceramic relative humidity (RH) sensor, as well as a built in temperature sensor to determine its dry bulb temperature. Information from both of these sensors is used to compute the resultant dew point.

Maintenance/Safety Issues

Maintaining proper sensor temperature will prevent the premature failure of the sensor. The operating temperature of the sensor should remain below 130° F (54°C) at all times. To determine the sensor temperature, measure the voltage between pins 5(+) and 9(-) on the microprocessor board. The voltage will be between 0 and 1VDC. Use the chart in Appendix A to determine the temperature in °F, or use Appendix B to determine the temperature in °C. If this temperature shows in excess of 130°F (54°C), the length of sample tubing should be increased to allow for adequate cooling of the sample before it passes the sensor tip.

Factory Calibration

Calibration of the sensor is recommended annually. SSI’s initial calibration is performed in our ISO/IEC 17025 certified laboratory, and includes an NIST traceable “Certificate of Calibration”. Any calibration performed at SSI will be NIST traceable and will have documentation of ISO/IEC 17025 certification. The certificate also indicates the accuracy of the analyzer before and after calibration. Please contact Super Systems, Inc. at (513) 772-0060 for more information regarding this service.

Field Calibration

It is also possible to calibrate the Simple Dew in the field, which will require one of two optional calibration kits. One calibration kit is NIST traceable (Part No. 31425); one kit is non-traceable (Part No. 31030). To perform this calibration, you will need a calibration kit and a voltmeter that will allow you to measure between 0 and 1 volt DC. Since there is no display on the instrument itself, the voltages from the sensor circuit board will have to be translated into temperature and dew point measurements for the purpose of verifying the calibration. The instructions for doing this are contained in this document along with reference charts to aid in the interpretation of the voltages.

The calibration kit consists of two bottles of saturated salt solution in which each bottle generates a precise relative humidity percentage (R.H.%) value. One bottle is 11.3% R.H., and the other is 75.3% R.H. These two specific calibration points are already pre-programmed into the microprocessor board.

1.0 Locate the key components within the unit

- 1.1 The **microprocessor board** contains three very small buttons that are used for calibration. Two are next to one another, and they are marked “75.3%” and “11.3%”, while the other has no label. The unmarked button is the “Calibrate” button. The approximate locations of each button are shown on this diagram (Figure 1):

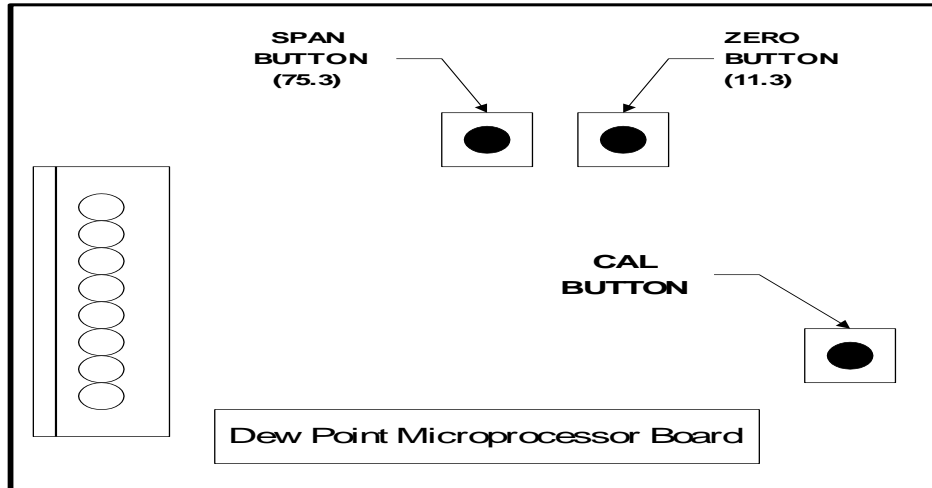


Figure 1

- 1.2 The **sensor-sampling chamber** is the gray rectangular box with brass barb fittings on either side with a plastic gland protruding from the center.
- 1.3 The **sensor probe** is positioned in the sensor-sampling chamber. It is held in place by the nut on the plastic gland.
- 2.0 Remove the sensor probe from the sensor sampling chamber.
 - 2.1 Loosen the plastic gland nut and slowly slide the sensor probe out through the airtight seal.
- 3.0 Install the sensor probe into the 75.3% salt solution.
 - 3.1 Slip the sensor gland (supplied in the calibration kit) over the sensor probe with the sensor tip protruding from the threaded end of the gland and the sensor wires being flush with the top of the rubber o-ring in the gland. Tighten the gland around the sensor. This does not need to be done with a wrench or other tools, but it does need to be tight enough to prevent ambient air from contaminating the humidity level of the sampling chamber.
 - 3.2 Remove the cap of the 75.3% salt solution and install the sensor gland (with the sensor) into the salt solution. To increase the life of the calibration salts, an effort should be made to minimize the amount of time that the salt solution is exposed to the ambient air.
- 4.0 Allow the sensor to reach equilibrium with the calibration salt.

Simple Dew Digital Dew Point Analyzer Operations Manual

- 4.1 Leave the sensor in the calibration salt for a minimum of eighteen (18) hours. It is acceptable to leave the sensor in the salt solution for a longer period of time, even a few days, if desired.
- 5.0 Begin the 75.3% (Span) calibration process.
 - 5.1 After leaving the sensor in the salt for at least eighteen (18) hours, turn the unit on (if it isn't on already).
 - 5.2 Simultaneously press the "75.3%" and "Calibration" buttons on the microprocessor board.
- 6.0 Verify the 75.3% (Span) calibration.
 - 6.1 Leave the sensor in the 75.3%RH calibration salt.
 - 6.2 Record the temperature and the dew point of the sensor. Since there is no display on the instrument, you will need to measure the voltage from the microprocessor board and translate that into the appropriate measurement.
 - 6.2.1 To determine the sensor temperature, measure the voltage between pins 5(+) and 9(-) on the microprocessor board. The voltage will be between 0 and 1VDC. Use the chart in Appendix A to determine the temperature in °F, or use Appendix B to determine the temperature in °C.
 - 6.2.2 Temporarily record the sensor temperature.
 - 6.3 Look up this temperature in Appendix "C" (Determining the Dew Point in °F) or Appendix "D" (Determining the Dew Point in °C). Appendix C will show the temperature values in Fahrenheit, and Appendix D will show the temperature values in Celsius.
 - 6.4 Next to the appropriate sensor temperature, note the number in the corresponding column titled "75.3%". This will match the measured dew point, which can be verified wherever the dew point is displayed.
- 7.0 After the 75.3% (Span) calibration has been completed, remove the sensor from the calibration salt and replace the cap on the salt.
 - 7.1 Leave the sensor probe in the gland and while the unit is still on, allow it to achieve equilibrium at the ambient atmosphere in the room. This is accomplished by simply leaving the sensor exposed to ambient air for between two and three minutes. You will know when this has been accomplished when the numbers on the display begin to stabilize.
- 8.0 Install the sensor probe into the 11.3% salt solution.

Simple Dew Digital Dew Point Analyzer Operations Manual

- 8.1 Remove the cap of the 11.3% salt solution and install the sensor gland (with the sensor) into the salt solution. To increase the life of the calibration salts, an effort should be made to minimize the amount of time that the salt solution is exposed to the ambient air.
- 9.0 Allow the sensor to reach equilibrium with the calibration salt.
 - 9.1 Leave the sensor in the calibration salt for a minimum of 24 hours. It is acceptable to leave the sensor in the salt solution for a longer period of time, even a few days, if desired.
- 10.0 Begin the 11.3% (Zero) calibration process
 - 10.1 After leaving the sensor in the salt for at least twenty-four (24) hours, turn the unit on (if it isn't on already).
 - 10.2 Simultaneously press the "11.3%" and "Calibration" buttons on the microprocessor board.
- 11.0 Verify the 11.3% (Zero) calibration
 - 11.1 Leave the sensor in the 11.3%RH calibration salt
 - 11.2 Record the temperature and the dew point of the sensor. Since there is no display on the instrument, you will need to measure the voltage from the microprocessor board and translate that into the appropriate measurement.
 - 11.2.1 To determine the sensor temperature, measure the voltage between pins 5(+) and 9(-) on the microprocessor board. The voltage will be between 0 and 1VDC. Use the chart in Appendix A to determine the temperature in °F, or use Appendix B to determine the temperature in °C.
 - 11.2.2 Temporarily record the sensor temperature.
 - 11.3 Look up this temperature in Appendix "C" (Determining the Dew Point in °F) or Appendix "D" (Determining the Dew Point in °C). Appendix C will show the temperature values in Fahrenheit, and Appendix D will show the temperature values in Celsius.
 - 11.4 Next to the appropriate temperature, note the number in the corresponding column titled "11.3%". This will match the measured dew point, which can be verified wherever the dew point is displayed.
- 12.0 After the 11.3% (Zero) calibration has been completed, remove the sensor from the calibration salt and replace the cap on the salt.

Simple Dew Digital Dew Point Analyzer Operations Manual

12.1 After the 11.3% (Zero) calibration has been completed, remove the sensor from the calibration salt and replace the cap.

13.0 Re-assemble the unit

13.1 After the calibration process has been completed, remove the sensor probe from the gland and return it to the sensor-sampling chamber, taking care to position it properly.

13.2 Hand-tighten the sensor gland to prevent air from leaking out of the sampling chamber.

14.0 Make sure that all caps are replaced on the calibration salts, and return the instrument to service.

Replacement Parts

Description	Part Number
Factory Calibration	65010
Calibration Kit (non-traceable)	31030
Calibration Kit (NIST traceable)	31425
Bowl Filter	37048
Bowl Filter Element	31027
Dew Point Sensor	A20881
Sensor Sampling Block	20192
Power Supply	31135
Flow Meter	36027
Sample Tube	20263
Sample Tube (With High-Temp Filter)	20264
Complete Units	
Simple Dew Unit (with Power Supply)	13134
Simple Dew Unit (without Power Supply)	13136

Troubleshooting

Unit doesn't power up:

Verify that the unit has power. With a voltmeter set to AC Voltage, \tilde{V} , verify that there is 110/120 VAC on terminals 1000 and 1002. Wire 1000 is considered to be the "hot" wire and wire 1002 should be the neutral in the circuit. If there is no voltage on these wires, there is no outside power to the Simple Dew analyzer. If there is power to these wires, verify that the 2 amp circuit breaker is not tripped. Reset the breaker, which should supply power to the analyzer.

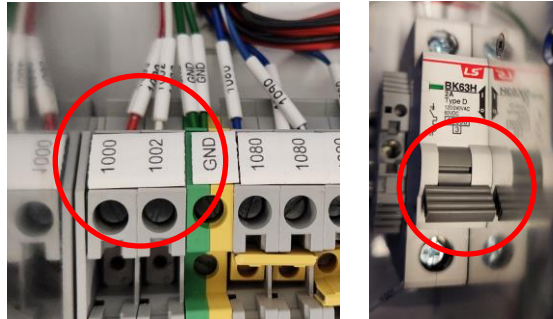


Figure 2

Verify that the 24VDC power supply is supplying power. With a voltmeter set to DC Voltage, \bar{V} , verify that there is 24VDC coming from the power supply. Place the two leads of the voltmeter on the terminals containing blue wires labeled 1080 and 1090 of the power supply. The position of the voltmeter leads will affect the reading, showing either a positive or negative voltage reading. The meter should indicate approximately 24 VDC of power coming from the DC voltage power supply. If there is 24VDC power, but still no signal from the Simple Dew analyzer, contact SSi directly at (513) 772-0060 for additional troubleshooting tips.



Figure 3

Dew point reading shows 80°F and never drops:

The upper range of the sensor is +80°F. If that value is displayed, it likely indicates the presence of moisture in the sample tubing or on the dew point sensor tip. If this moisture is not removed, it will cause the sensor tip to corrode and will eventually require the sensor to be replaced.

First, check the dew point sensor tip for obvious signs of moisture, corrosion, and/or damage causing high readings. Loosen the plastic compression fitting that holds the dew point sensor. Pull out the sensor and visually inspect the region of the probe normally inserted into the sample block. An example of sensor damage due to prolonged exposure to excessive moisture is shown below.

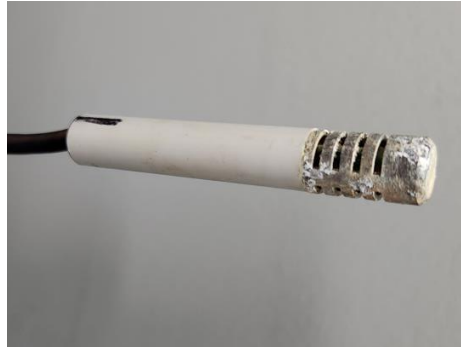


Figure 4

DO NOT ATTEMPT TO REMOVE THE MOISTURE FROM THE SENSOR WITH A CLOTH OR COMPRESSED AIR AS THIS CAN PERMANENTLY DAMAGE THE SENSOR. There are a few ways listed below to remove the moisture from the sampling lines and Simple Dew analyzer. The method used will depend on how much time the user can afford to be without measurements from the Simple Dew analyzer.

Drying out the Simple Dew analyzer:

Option 1:

The easiest way to remove moisture is to flow dry compressed air*, nitrogen, or argon through the analyzer, until the dew point reading drops and stabilizes. This can take **up to two days** depending on the amount of moisture in the sampling lines and analyzer.

**Dry compressed air is compressed air produced by a facility air compressor that has flowed through a desiccant or refrigerated air dryer with a dew point of 40°F (4°C) or less.*

Disassemble the sampling line filter to determine if the element is saturated with moisture. Replace the element if it contains moisture, as leaving it in the sampling line will increase the drying time significantly.

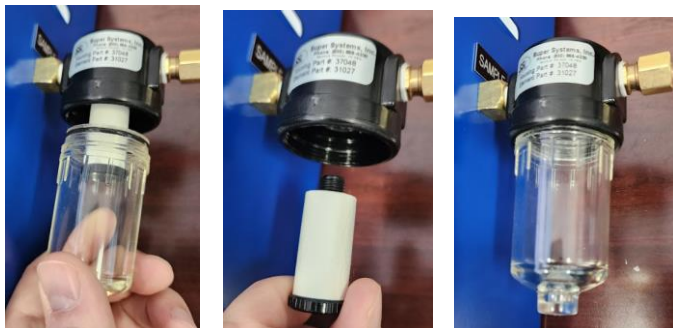


Figure 5

Simple Dew Digital Dew Point Analyzer Operations Manual

Connect a dry gas source to the sampling line of the Simple Dew. Verify that the pressure is low (less than 2 psi) to prevent damage to the dew point sensor. Adjust flow through the Simple Dew to 3 to 5 scfh of flow indicated by the flow meter on the front of the Simple Dew. Allow gas to flow through the Simple Dew and monitor the dew point reading from the sensor. As the sample line and sensor dry out, the dew point reading should drop and stabilize.

Option 2:

Moisture can be removed from the sampling line much more quickly if the lines are disconnected and blown out with dry compressed air, nitrogen, or argon. To remove moisture with this method, follow the steps below:

Isolate the sampling line from the atmosphere gas source to the Simple Dew sample line inlet at the filter by disconnecting it on both ends. Higher pressures can be used for this process as long as the lines have been disconnected at both ends and no sensing equipment is exposed to the high pressure gas. Blow gas through the sampling line for as long as it takes to remove any visible moisture from the line. Reconnect the line at both ends.



Figure 6

Open the filter housing and wipe out the bowl removing any moisture. Assess the filter element and replace it if there is any sign of moisture present in that element. Reassemble the filter.

Disconnect the tubing at the filter outlet. Open the front door of the Simple Dew and disconnect the tubing to the bottom of the Sensor Sampling Block. Blow gas through the sampling line for as long as it takes to remove any visible moisture from the line. Reconnect the tubing at both ends.



Figure 7

Remove the dew point element from its housing by loosening the compression nut. Visually inspect the element for any signs of moisture. If there is any moisture on the element, low pressure gas must be flowed past the element, until the element is dry. **DO NOT ATTEMPT TO REMOVE THE MOISTURE FROM THE ELEMENT WITH A CLOTH OR COMPRESSED AIR AS THIS CAN PERMANENTLY DAMAGE THE ELEMENT.** With the element out of its housing, disconnect the tubing on both ends and blow gas through the housing, until all of the moisture has been removed. A dry cloth or paper towel can also be used to remove moisture from inside the housing. Reconnect the tubing and reinstall the dew point element.

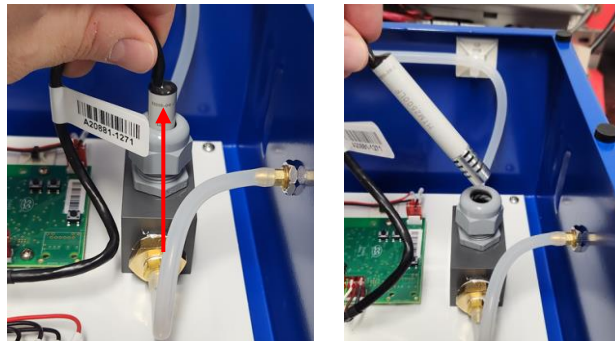


Figure 8

Remove the tubing at both ends between the dew point element housing and the bottom of the flow meter. Blow out the tubing to remove the moisture. Reconnect the tubing.

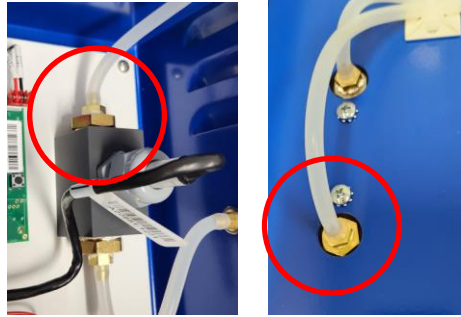


Figure 9

Visually inspect the flow meter for signs of moisture in the flow tube where the black float is located. If necessary, blow dry gas through the flow meter, until all of the moisture is removed. Reconnect the tubing.

Disconnect the tubing between the flow meter and sample gas outlet at the top of the Simple Dew housing. Blow out the tubing with dry gas, until all of the moisture is removed. Reconnect the tubing.

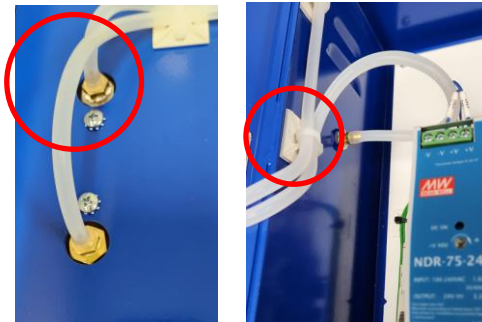


Figure 10

To test if it is operating properly, verify the ambient dew point against a web-based weather station that will report the ambient dew point for your area. If the displayed reading is within three degrees (3°) of the reported dew point when the instrument is taken outside, then all of the moisture has probably been successfully removed. The wet filter and sample tubing can be re-attached after they have been completely dried out. The filter element will regain all of its original filtering properties after it has dried out.

To prevent the possibility of moisture damaging the instrument, be sure that the measured dew point is below ambient levels before it is stored. If necessary, dry compressed air, nitrogen, or argon can be used to purge the instrument after use.

No visible flow is shown in the flow meter:

Verify that the generator is running and that all sampling line valves are physically open to the Simple Dew analyzer. Disconnect the tubing to the filter and verify that there is flow coming out of the tubing (reference **Figure 6**). If there is no flow at this point, there may be a blockage in the tubing or the supply pressure may be too low to flow through the filter and flow meter. Isolate the sampling line by disconnecting it on both ends. Blow clean, dry air through the sampling line to verify that it is clear. Using a manometer, measure the supply pressure

from the atmosphere generator. If the supply pressure is less than 10" WC positive pressure, a pump may be required to pull a sample of gas through the Simple Dew analyzer.

Open the front door of the Simple Dew and disconnect the tubing to the bottom of the Sensor Sampling Block (reference **Figure 7**). Verify that there is flow coming out of the tubing. If there is no flow present, the filter may be clogged or very dirty preventing any flow past it. The tubing between the filter and Sensor Sampling Block may also be clogged. Remove the filter element and see if that solves the flow issue (reference **Figure 5**). If so, replace the filter element with a new one. If not, remove the tubing and blow clean, dry air through it to free it of any blockages. Reinstall the tubing to the filter and verify flow through the flow meter to see if that fixed the flow issue.

Next, disconnect the tubing to the bottom of the sample flow meter (reference **Figure 9**). Verify that there is flow coming out of the end of the tubing. If there is no flow present, the Sensor Sampling Block may be clogged or very dirty preventing any flow through it. Remove the dew point sensor, isolate the sampling block and blow air through it to remove the blockage (reference **Figure 8**). Reinstall the dew point sensor and tubing to the Sensor Sampling Block and visually check to see if there is flow through the flow meter. Reconnect the tubing to the flow meter.

Remove the tubing from the top of the flow meter (reference **Figure 10**). Verify if there is any flow indicated through the flow meter. Check the flow outlet to see if you can feel any flow. If so, the flow meter flow indicating ball may be stuck. Remove the sample supply tubing from the bottom of the flow meter isolating it. Blow air through the flow meter to free the indicator ball. If necessary, flow isopropyl alcohol through the meter and then flow air through the meter to free the ball. Re-connect the sample supply tubing at the bottom of the meter and see if there is any flow shown through the meter. If so, reconnect the sample tubing to the top of the meter. If flow stops, the sample tubing out of the meter may be clogged. Isolate that tubing and blow clean, dry air through the tubing. Reconnect the tubing and check for flow.

Remove the sample tubing at the top of the Simple Dew where the sample exits the unit (reference **Figure 10**). Blow air through that fitting to verify that there isn't a blockage out of the Simple Dew analyzer. Reconnect the tubing and verify flow through the unit.

Display appears to be locked up and never changes (not at 80°F):

Disconnect power to the unit and wait for 30 seconds. Reapply power to the unit and verify the display. If the unit still appears to be "frozen," contact SSi for further troubleshooting tips.

Display reads -50 (indicating that the sensor failed):

Contact SSi for further troubleshooting tips.

Display reads higher than normal and does not match other dew point equipment:

If soot is allowed to collect on the dew point sensor in the instrument, it could result in higher readings. This soot will also retain moisture than can corrode the sensor over time. Change the filter element if it is possibly saturated with soot.

Also, the dew point sensor tip can be cleaned by carefully removing it from the sample block (see Section 2.0 of the Field Calibration instructions) and rinsing it in isopropyl alcohol. The power should be off while this is done, and the power should remain off for at least 30 minutes after this procedure to allow all of the alcohol to completely evaporate.

Returning the Unit to SSi

This analyzer contains some components that may require periodic replacement based on the amount of use that the unit experiences and the methods in which it is used. If service on the unit is necessary, it should be sent back to Super Systems, Inc. in the original packaging for repair. If the original packaging is not available, the analyzer should be surrounded by impact-absorbing materials and placed in a box. It is the responsibility of the shipper to ensure that the Simple Dew arrives at SSi undamaged.

Before shipping the analyzer, please call (513) 772-0060 to receive a Return Materials Authorization (RMA) number. The shipping address that should be used for returns is:

**Super Systems, Inc.
ATTN: RMA #XXXX
7205 Edington Drive
Cincinnati, OH 45249**

Warranty

Limited Warranty for Super Systems Products:

The Limited Warranty applies to new Super Systems Inc. (SSI) products purchased direct from SSI or from an authorized SSI dealer by the original purchaser for normal use. SSI warrants that a covered product is free from defects in materials and workmanship, with the exceptions stated below.

The limited warranty does not cover damage resulting from commercial use, misuse, accident, modification or alteration to hardware or software, tampering, unsuitable physical or operating environment beyond product specifications, improper maintenance, or failure caused by a product for which SSI is not responsible. There is no warranty of uninterrupted or error-free operation. There is no warranty for loss of data—you must regularly back up the data stored on your product to a separate storage product. There is no warranty for product with removed or altered identification labels. SSI DOES NOT PROVIDE ANY OTHER WARRANTIES OF ANY KIND, INCLUDING, BUT NOT LIMITED TO, THE IMPLIED WARRANTIES OR CONDITIONS OF MERCHANTABILITY AND FITNESS FOR A PARTICULAR PURPOSE. SOME JURISDICTIONS DO NOT ALLOW THE LIMITATION OF IMPLIED WARRANTIES, SO THIS LIMITATION MAY NOT APPLY TO YOU. SSI is not responsible for returning to you product which is not covered by this limited warranty.

If you are having trouble with a product, before seeking limited warranty service, first follow the troubleshooting procedures that SSI or your authorized SSI dealer provides.

SSI will replace the PRODUCT with a functionally equivalent replacement product, transportation prepaid after PRODUCT has been returned to SSI for testing and evaluation. SSI may replace your product with a product that was previously used, repaired and tested to meet SSI specifications. You receive title to the replaced product at delivery to carrier at SSI shipping point. You are responsible for importation of the replaced product, if applicable. SSI will not return the original product to you; therefore, you are responsible for moving data to another media before returning to SSI, if applicable. Data Recovery is not covered under this warranty and is not part of the warranty returns process. SSI warrants that the replaced products are covered for the remainder of the original product warranty or 90 days, whichever is greater.

Revision History

Rev.	Description	Date	MCO#
-	First Release	03-06-2009	N/A
A	Manual updated to current standard format. Introduction updated. Specifications updated to include power requirements specified based on Simple Dew unit. Calibration instructions updated to include two calibration kit options. Replacement parts list updated, including the addition of two calibration kits and two complete units.	04-13-2015	2158
B	Electrical schematic added, internal photos added, power supply and flow meter added to parts list, P/N for sensor changed.	10/25/2016	2183
C	Added troubleshooting section and additional photos	12/19/2018	2246
D	Multiple updates and changes due to product redesign.	10/5/2023	2343

Simple Dew Digital Dew Point Analyzer Operations Manual

Appendix A: Determining the Sensor Temperature in °F

When the DC voltage between 5(+) and 8(-) is:	Then the sensor temperature (°F) is:
0.3472	67.0
0.3478	67.2
0.3483	67.4
0.3489	67.6
0.3494	67.8
0.3500	68.0
0.3506	68.2
0.3511	68.4
0.3517	68.6
0.3522	68.8
0.3528	69.0
0.3533	69.2
0.3539	69.4
0.3544	69.6
0.3550	69.8
0.3556	70.0
0.3561	70.2
0.3567	70.4
0.3572	70.6
0.3578	70.8
0.3583	71.0
0.3589	71.2
0.3594	71.4
0.3600	71.6
0.3606	71.8
0.3611	72.0
0.3617	72.2
0.3622	72.4
0.3628	72.6
0.3633	72.8
0.3639	73.0
0.3644	73.2
0.3650	73.4
0.3656	73.6
0.3661	73.8
0.3667	74.0
0.3672	74.2
0.3678	74.4
0.3683	74.6
0.3689	74.8
0.3694	75.0
0.3700	75.2
0.3706	75.4
0.3711	75.6
0.3717	75.8
0.3722	76.0
0.3728	76.2
0.3733	76.4
0.3739	76.6
0.3744	76.8
0.3750	77.0
0.3756	77.2
0.3761	77.4
0.3767	77.6
0.3772	77.8
0.3778	78.0
0.3783	78.2
0.3789	78.4
0.3794	78.6
0.3800	78.8

When the DC voltage between 5(+) and 8(-) is:	Then the sensor temperature (°F) is:
0.3806	79.0
0.3811	79.2
0.3817	79.4
0.3822	79.6
0.3828	79.8
0.3833	80.0
0.3839	80.2
0.3844	80.4
0.3850	80.6
0.3856	80.8
0.3861	81.0
0.3867	81.2
0.3872	81.4
0.3878	81.6
0.3883	81.8
0.3889	82.0
0.3894	82.2
0.3900	82.4
0.3906	82.6
0.3911	82.8
0.3917	83.0
0.3922	83.2
0.3928	83.4
0.3933	83.6
0.3939	83.8
0.3944	84.0
0.3950	84.2
0.3956	84.4
0.3961	84.6
0.3967	84.8
0.3972	85.0
0.3978	85.2
0.3983	85.4
0.3989	85.6
0.3994	85.8
0.4000	86.0
0.4006	86.2
0.4011	86.4
0.4017	86.6
0.4022	86.8
0.4028	87.0
0.4033	87.2
0.4039	87.4
0.4044	87.6
0.4050	87.8
0.4056	88.0
0.4061	88.2
0.4067	88.4
0.4072	88.6
0.4078	88.8
0.4083	89.0
0.4089	89.2
0.4094	89.4
0.4100	89.6
0.4106	89.8
0.4111	90.0
0.4117	90.2
0.4122	90.4
0.4128	90.6
0.4133	90.8

When the DC voltage between 5(+) and 8(-) is:	Then the sensor temperature (°F) is:
0.4139	91.0
0.4144	91.2
0.4150	91.4
0.4156	91.6
0.4161	91.8
0.4167	92.0
0.4172	92.2
0.4178	92.4
0.4183	92.6
0.4189	92.8
0.4194	93.0
0.4200	93.2
0.4206	93.4
0.4211	93.6
0.4217	93.8
0.4222	94.0
0.4228	94.2
0.4233	94.4
0.4239	94.6
0.4244	94.8
0.4250	95.0
0.4256	95.2
0.4261	95.4
0.4267	95.6
0.4272	95.8
0.4278	96.0
0.4283	96.2
0.4289	96.4
0.4294	96.6
0.4300	96.8
0.4306	97.0
0.4311	97.2
0.4317	97.4
0.4322	97.6
0.4328	97.8
0.4333	98.0
0.4339	98.2
0.4344	98.4
0.4350	98.6
0.4356	98.8
0.4361	99.0
0.4367	99.2
0.4372	99.4
0.4378	99.6
0.4383	99.8
0.4389	100.0
0.4394	100.2
0.4400	100.4
0.4406	100.6
0.4411	100.8
0.4417	101.0
0.4422	101.2
0.4428	101.4
0.4433	101.6
0.4439	101.8
0.4444	102.0
0.4450	102.2
0.4456	102.4
0.4461	102.6
0.4467	102.8

Simple Dew Digital Dew Point Analyzer Operations Manual

Appendix B: Determining the Sensor Temperature in °C

When the DC voltage between 5(+) and 8(-) is:	Then the sensor temperature (°C) is:
0.3472	19.4
0.3478	19.6
0.3483	19.7
0.3489	19.8
0.3494	19.9
0.3500	20.0
0.3506	20.1
0.3511	20.2
0.3517	20.3
0.3522	20.4
0.3528	20.6
0.3533	20.7
0.3539	20.8
0.3544	20.9
0.3550	21.0
0.3556	21.1
0.3561	21.2
0.3567	21.3
0.3572	21.4
0.3578	21.6
0.3583	21.7
0.3589	21.8
0.3594	21.9
0.3600	22.0
0.3606	22.1
0.3611	22.2
0.3617	22.3
0.3622	22.4
0.3628	22.6
0.3633	22.7
0.3639	22.8
0.3644	22.9
0.3650	23.0
0.3656	23.1
0.3661	23.2
0.3667	23.3
0.3672	23.4
0.3678	23.6
0.3683	23.7
0.3689	23.8
0.3694	23.9
0.3700	24.0
0.3706	24.1
0.3711	24.2
0.3717	24.3
0.3722	24.4
0.3728	24.6
0.3733	24.7
0.3739	24.8
0.3744	24.9
0.3750	25.0
0.3756	25.1
0.3761	25.2
0.3767	25.3
0.3772	25.4
0.3778	25.6
0.3783	25.7
0.3789	25.8
0.3794	25.9
0.3800	26.0

When the DC voltage between 5(+) and 8(-) is:	Then the sensor temperature (°C) is:
0.3806	26.1
0.3811	26.2
0.3817	26.3
0.3822	26.4
0.3828	26.6
0.3833	26.7
0.3839	26.8
0.3844	26.9
0.3850	27.0
0.3856	27.1
0.3861	27.2
0.3867	27.3
0.3872	27.4
0.3878	27.6
0.3883	27.7
0.3889	27.8
0.3894	27.9
0.3900	28.0
0.3906	28.1
0.3911	28.2
0.3917	28.3
0.3922	28.4
0.3928	28.6
0.3933	28.7
0.3939	28.8
0.3944	28.9
0.3950	29.0
0.3956	29.1
0.3961	29.2
0.3967	29.3
0.3972	29.4
0.3978	29.6
0.3983	29.7
0.3989	29.8
0.3994	29.9
0.4000	30.0
0.4006	30.1
0.4011	30.2
0.4017	30.3
0.4022	30.4
0.4028	30.6
0.4033	30.7
0.4039	30.8
0.4044	30.9
0.4050	31.0
0.4056	31.1
0.4061	31.2
0.4067	31.3
0.4072	31.4
0.4078	31.6
0.4083	31.7
0.4089	31.8
0.4094	31.9
0.4100	32.0
0.4106	32.1
0.4111	32.2
0.4117	32.3
0.4122	32.4
0.4128	32.6
0.4133	32.7

When the DC voltage between 5(+) and 8(-) is:	Then the sensor temperature (°C) is:
0.4139	32.8
0.4144	32.9
0.4150	33.0
0.4156	33.1
0.4161	33.2
0.4167	33.3
0.4172	33.4
0.4178	33.6
0.4183	33.7
0.4189	33.8
0.4194	33.9
0.4200	34.0
0.4206	34.1
0.4211	34.2
0.4217	34.3
0.4222	34.4
0.4228	34.6
0.4233	34.7
0.4239	34.8
0.4244	34.9
0.4250	35.0
0.4256	35.1
0.4261	35.2
0.4267	35.3
0.4272	35.4
0.4278	35.6
0.4283	35.7
0.4289	35.8
0.4294	35.9
0.4300	36.0
0.4306	36.1
0.4311	36.2
0.4317	36.3
0.4322	36.4
0.4328	36.6
0.4333	36.7
0.4339	36.8
0.4344	36.9
0.4350	37.0
0.4356	37.1
0.4361	37.2
0.4367	37.3
0.4372	37.4
0.4378	37.6
0.4383	37.7
0.4389	37.8
0.4394	37.9
0.4400	38.0
0.4406	38.1
0.4411	38.2
0.4417	38.3
0.4422	38.4
0.4428	38.6
0.4433	38.7
0.4439	38.8
0.4444	38.9
0.4450	39.0
0.4456	39.1
0.4461	39.2
0.4467	39.3

Simple Dew Digital Dew Point Analyzer Operations Manual

Appendix C: Determining the Dew Point in °F

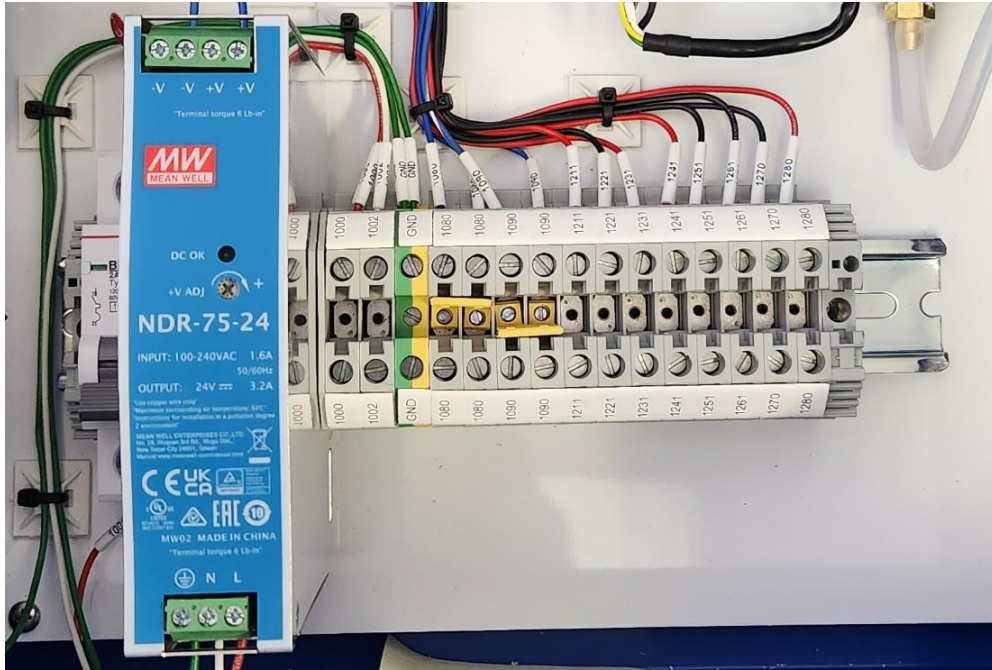
Sensor Temp (°F)	Percent RH		Sensor Temp (°F)	Percent RH		Sensor Temp (°F)	Percent RH		Sensor Temp (°F)	Percent RH	
	11.3%	75.3%		11.3%	75.3%		11.3%	75.3%		11.3%	75.3%
67.0	11.38	58.94	75.6	18.06	67.24	84.1	24.70	75.53	92.8	31.31	83.82
67.2	11.54	59.13	75.8	18.21	67.43	84.2	24.85	75.73	93.0	31.46	84.01
67.4	11.69	59.32	76.0	18.37	67.62	84.3	25.01	75.92	93.2	31.61	84.21
67.6	11.85	59.52	76.2	18.52	67.82	84.4	25.16	76.11	93.4	31.77	84.40
67.8	12.00	59.71	76.4	18.68	68.01	84.5	25.32	76.30	93.6	31.92	84.59
68.0	12.16	59.90	76.6	18.83	68.20	85.2	25.47	76.50	93.8	32.07	84.78
68.2	12.31	60.09	76.8	18.99	68.40	85.4	25.63	76.69	94.0	32.23	84.98
68.4	12.47	60.29	77.0	19.14	68.59	85.6	25.78	76.88	94.2	32.38	85.17
68.6	12.63	60.48	77.2	19.30	68.78	85.8	25.94	77.07	94.4	32.53	85.36
68.8	12.78	60.67	77.4	19.45	68.97	86.0	26.09	77.27	94.6	32.69	85.55
69.0	12.94	60.86	77.6	19.61	69.17	86.2	26.24	77.46	94.8	32.84	85.75
69.2	13.09	61.06	77.8	19.76	69.36	86.4	26.40	77.65	95.0	32.99	85.94
69.4	13.25	61.25	78.0	19.91	69.55	86.6	26.55	77.85	95.2	33.14	86.13
69.6	13.40	61.45	78.2	20.07	69.75	86.8	26.70	78.04	95.4	33.30	86.32
69.8	13.56	61.64	78.4	20.22	69.94	87.0	26.86	78.23	95.6	33.45	86.52
70.0	13.71	61.83	78.6	20.38	70.13	87.2	27.01	78.42	95.8	33.60	86.71
70.2	13.87	62.03	78.8	20.53	70.33	87.4	27.17	78.62	96.0	33.76	86.90
70.4	14.02	62.22	79.0	20.69	70.52	87.6	27.32	78.81	96.2	33.91	87.09
70.6	14.18	62.41	79.2	20.84	70.71	87.8	27.47	79.00	96.4	34.06	87.29
70.8	14.33	62.60	79.4	21.00	70.90	88.0	27.63	79.19	96.6	34.21	87.48
71.0	14.49	62.80	79.6	21.15	71.10	88.2	27.78	79.39	96.8	34.37	87.67
71.2	14.65	62.99	79.8	21.31	71.29	88.4	27.93	79.58	97.0	34.52	87.87
71.4	14.80	63.18	80.0	21.46	71.48	88.6	28.09	79.77	97.2	34.67	88.06
71.6	14.96	63.38	80.2	21.61	71.68	88.8	28.24	79.97	97.4	34.82	88.25
71.8	15.11	63.57	80.4	21.77	71.87	89.0	28.39	80.16	97.6	34.98	88.44
72.0	15.27	63.76	80.6	21.92	72.06	89.2	28.55	80.35	97.8	35.13	88.64
72.2	15.42	63.96	80.8	22.08	72.25	89.4	28.70	80.54	98.0	35.28	88.83
72.4	15.58	64.15	81.0	22.23	72.44	89.6	28.85	80.74	98.2	35.44	89.02
72.6	15.73	64.34	81.2	22.39	72.64	89.8	29.01	80.93	98.4	35.59	89.21
72.8	15.89	64.54	81.4	22.54	72.83	90.0	29.16	81.12	98.6	35.74	89.41
73.0	16.04	64.73	81.6	22.70	73.03	90.2	29.32	81.31	98.8	35.89	89.60
73.2	16.20	64.92	81.8	22.85	73.22	90.4	29.47	81.51	99.0	36.05	89.79
73.4	16.35	65.11	82.0	23.00	73.41	90.6	29.62	81.70	99.2	36.20	89.98
73.6	16.51	65.31	82.2	23.16	73.60	90.8	29.78	81.89	99.4	36.35	90.18
73.8	16.66	65.50	82.4	23.31	73.80	91.0	29.93	82.09	99.6	36.50	90.37
74.0	16.82	65.69	82.6	23.47	73.99	91.2	30.08	82.28	99.8	36.66	90.56
74.2	16.97	65.89	82.8	23.62	74.18	91.4	30.24	82.47	100.0	36.81	90.75
74.4	17.13	66.08	83.0	23.77	74.38	91.6	30.39	82.66	100.2	36.96	90.95
74.6	17.28	66.27	83.2	23.93	74.57	91.8	30.54	82.86	100.4	37.11	91.14
74.8	17.44	66.47	83.4	24.08	74.76	92.0	30.69	83.05	100.6	37.27	91.33
75.0	17.59	66.66	83.6	24.24	74.95	92.2	30.85	83.24	100.8	37.42	91.52
75.2	17.75	66.85	83.8	24.39	75.15	92.4	31.00	83.43	101.0	37.57	91.72
75.4	17.90	67.04	84.0	24.55	75.34	92.6	31.15	83.63	101.2	37.72	91.91

Simple Dew Digital Dew Point Analyzer Operations Manual

Appendix D: Determining the Dew Point in °C

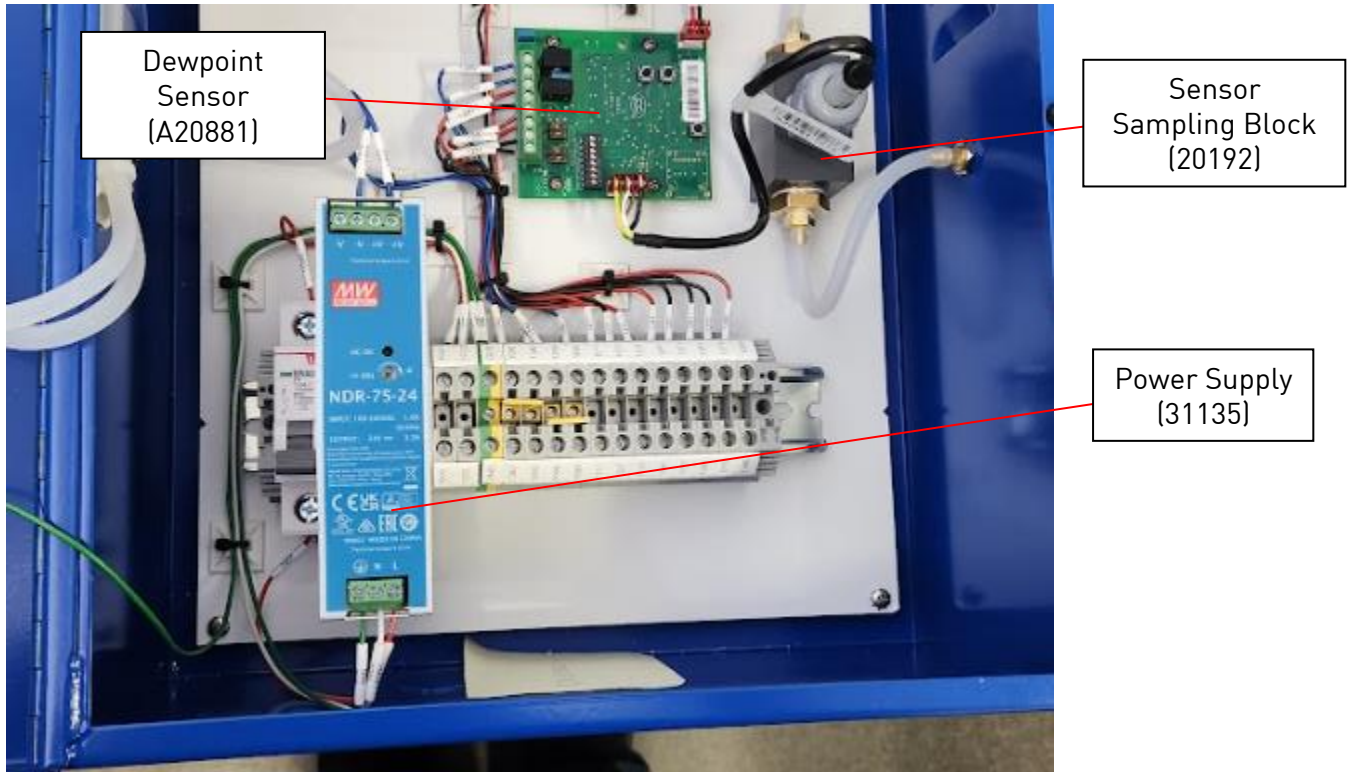
Sensor Temp (°F)	Percent RH		Sensor Temp (°F)	Percent RH		Sensor Temp (°F)	Percent RH		Sensor Temp (°F)	Percent RH	
	11.3%	75.3%		11.3%	75.3%		11.3%	75.3%		11.3%	75.3%
19.4	-11.46	14.97	24.2	-7.74	19.58	28.9	-4.06	24.18	33.8	-0.38	28.79
19.6	-11.37	15.07	24.3	-7.66	19.68	29.0	-3.97	24.29	33.9	-0.30	28.89
19.7	-11.28	15.18	24.4	-7.57	19.79	29.1	-3.88	24.40	34.0	-0.22	29.01
19.8	-11.19	15.29	24.6	-7.49	19.90	29.1	-3.80	24.51	34.1	-0.13	29.11
19.9	-11.11	15.39	24.7	-7.40	20.01	29.2	-3.71	24.61	34.2	-0.04	29.22
20.0	-11.02	15.50	24.8	-7.32	20.11	29.6	-3.63	24.72	34.3	0.04	29.32
20.1	-10.94	15.61	24.9	-7.23	20.22	29.7	-3.54	24.83	34.4	0.13	29.43
20.2	-10.85	15.72	25.0	-7.14	20.33	29.8	-3.46	24.93	34.6	0.21	29.54
20.3	-10.76	15.82	25.1	-7.06	20.43	29.9	-3.37	25.04	34.7	0.29	29.64
20.4	-10.68	15.93	25.2	-6.97	20.54	30.0	-3.28	25.15	34.8	0.38	29.75
20.6	-10.59	16.03	25.3	-6.88	20.65	30.1	-3.20	25.26	34.9	0.47	29.86
20.7	-10.51	16.14	25.4	-6.80	20.76	30.2	-3.11	25.36	35.0	0.55	29.97
20.8	-10.42	16.25	25.6	-6.72	20.86	30.3	-3.03	25.47	35.1	0.63	30.07
20.9	-10.33	16.36	25.7	-6.63	20.97	30.4	-2.94	25.58	35.2	0.72	30.18
21.0	-10.24	16.47	25.8	-6.54	21.08	30.6	-2.86	25.68	35.3	0.81	30.29
21.1	-10.16	16.57	25.9	-6.46	21.18	30.7	-2.77	25.79	35.4	0.89	30.39
21.2	-10.07	16.68	26.0	-6.37	21.29	30.8	-2.68	25.90	35.6	0.98	30.50
21.3	-9.99	16.79	26.1	-6.28	21.40	30.9	-2.60	26.01	35.7	1.06	30.61
21.4	-9.90	16.89	26.2	-6.20	21.51	31.0	-2.52	26.11	35.8	1.14	30.72
21.6	-9.82	17.00	26.3	-6.11	21.61	31.1	-2.43	26.22	35.9	1.23	30.82
21.7	-9.73	17.11	26.4	-6.03	21.72	31.2	-2.34	26.33	36.0	1.32	30.93
21.8	-9.64	17.22	26.6	-5.94	21.83	31.3	-2.26	26.43	36.1	1.40	31.04
21.9	-9.56	17.32	26.7	-5.86	21.93	31.4	-2.17	26.54	36.2	1.48	31.14
22.0	-9.47	17.43	26.8	-5.77	22.04	31.6	-2.09	26.65	36.3	1.57	31.25
22.1	-9.38	17.54	26.9	-5.68	22.15	31.7	-2.01	26.76	36.4	1.66	31.36
22.2	-9.29	17.64	27.0	-5.60	22.26	31.8	-1.92	26.86	36.6	1.74	31.47
22.3	-9.21	17.76	27.1	-5.51	22.36	31.9	-1.83	26.97	36.7	1.82	31.57
22.4	-9.12	17.86	27.2	-5.43	22.47	32.0	-1.75	27.08	36.8	1.91	31.68
22.6	-9.04	17.97	27.3	-5.34	22.58	32.1	-1.66	27.18	36.9	1.99	31.78
22.7	-8.95	18.08	27.4	-5.26	22.68	32.2	-1.58	27.29	37.0	2.08	31.89
22.8	-8.87	18.18	27.6	-5.17	22.79	32.3	-1.49	27.39	37.1	2.16	32.00
22.9	-8.78	18.29	27.7	-5.08	22.90	32.4	-1.41	27.51	37.2	2.25	32.11
23.0	-8.69	18.39	27.8	-5.00	23.01	32.6	-1.32	27.61	37.3	2.33	32.21
23.1	-8.61	18.51	27.9	-4.91	23.11	32.7	-1.23	27.72	37.4	2.42	32.32
23.2	-8.52	18.61	28.0	-4.83	23.22	32.8	-1.15	27.83	37.6	2.50	32.43
23.3	-8.43	18.72	28.1	-4.74	23.33	32.9	-1.07	27.93	37.7	2.59	32.53
23.4	-8.35	18.83	28.2	-4.66	23.43	33.0	-0.98	28.04	37.8	2.67	32.64
23.6	-8.26	18.93	28.3	-4.57	23.54	33.1	-0.89	28.14	37.9	2.76	32.75
23.7	-8.18	19.04	28.4	-4.48	23.65	33.2	-0.81	28.26	38.0	2.84	32.86
23.8	-8.09	19.15	28.6	-4.40	23.76	33.3	-0.73	28.36	38.1	2.93	32.96
23.9	-8.01	19.26	28.7	-4.31	23.86	33.4	-0.64	28.47	38.2	3.01	33.07
24.0	-7.92	19.36	28.8	-4.23	23.97	33.6	-0.56	28.57	38.3	3.09	33.18
24.1	-7.83	19.47	28.9	-4.14	24.08	33.7	-0.47	28.68	38.4	3.18	33.28

Appendix E: Internal Photos and Components

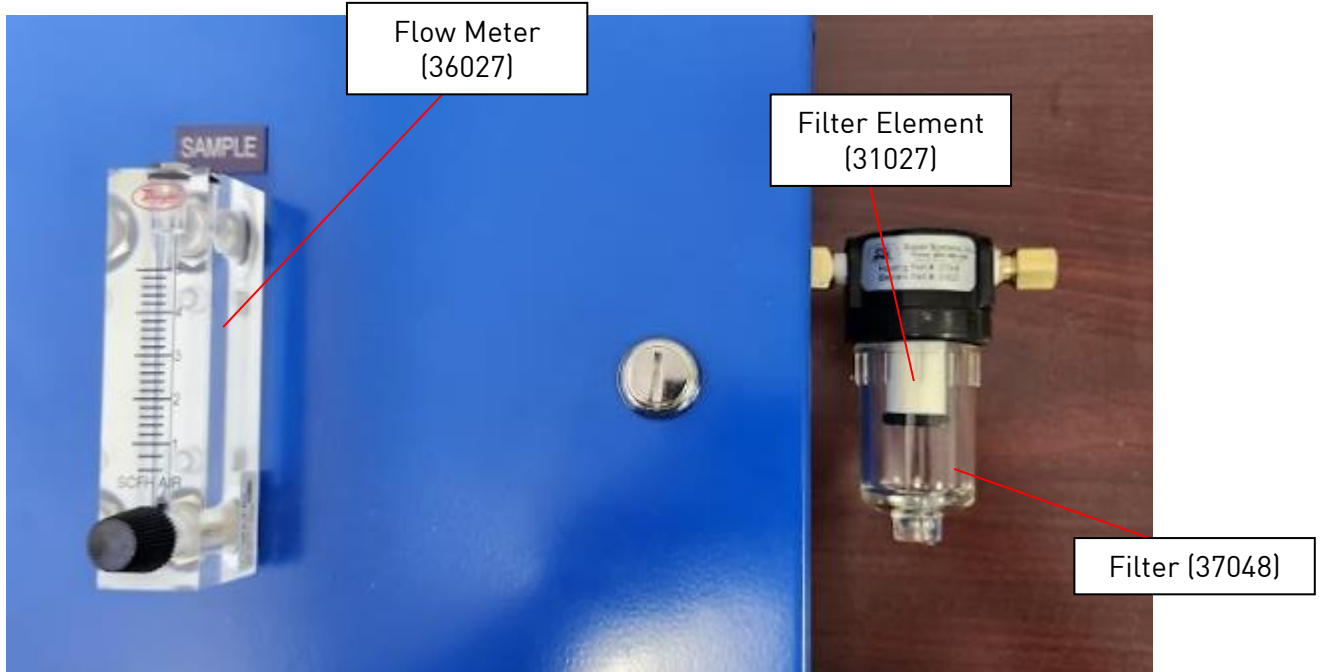


0	C/B - 2.0 AMP	0
0	POWER SUPPLY	0
0	1000	0
0	1002	0
0	GND	0
0	1080	0
0	1080	0
0	1090	0
0	1090	0
0	1211	0
0	1221	0
0	1231	0
0	1241	0
0	1251	0
0	1261	0
0	1270	0
0	1280	0

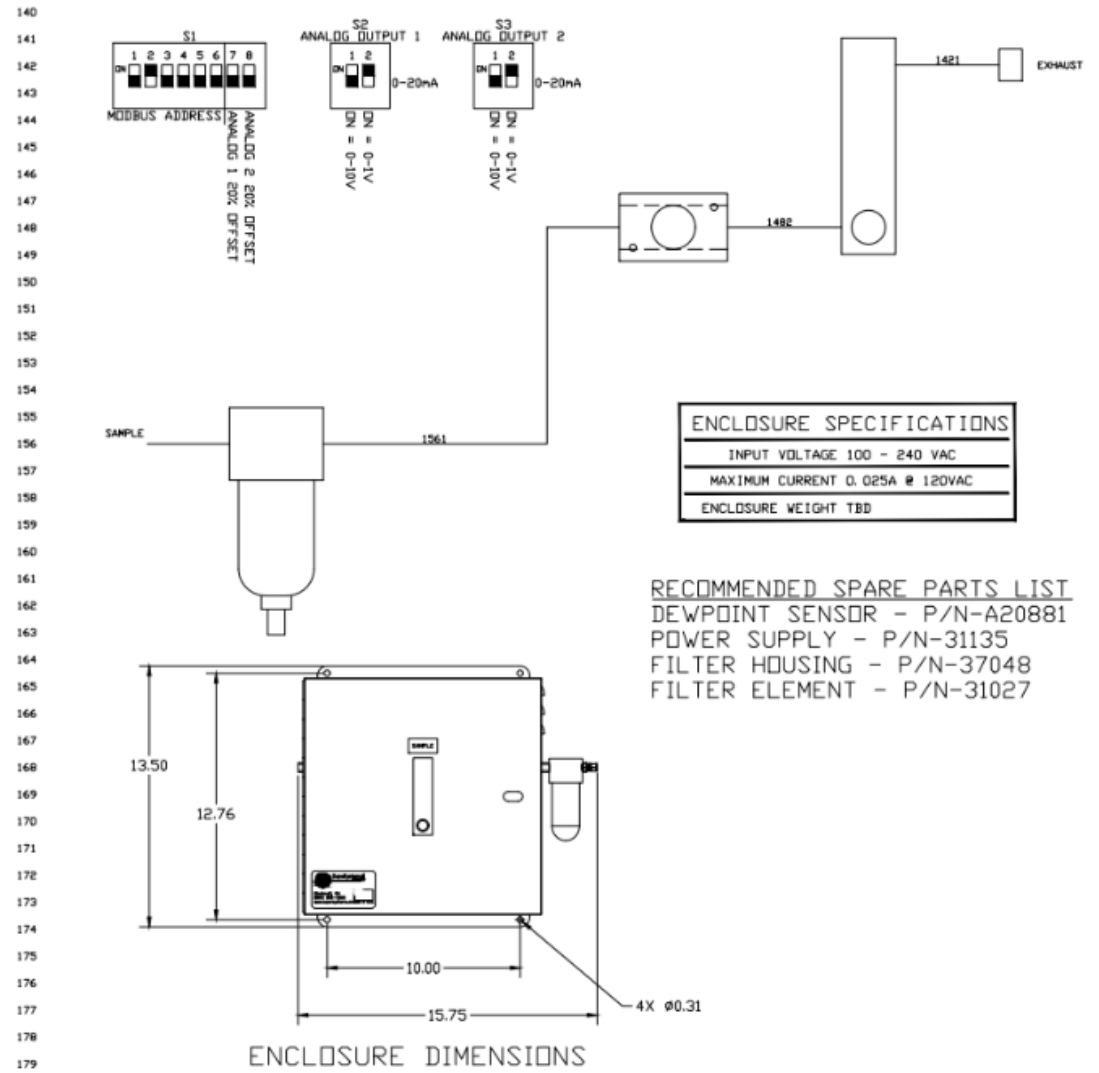
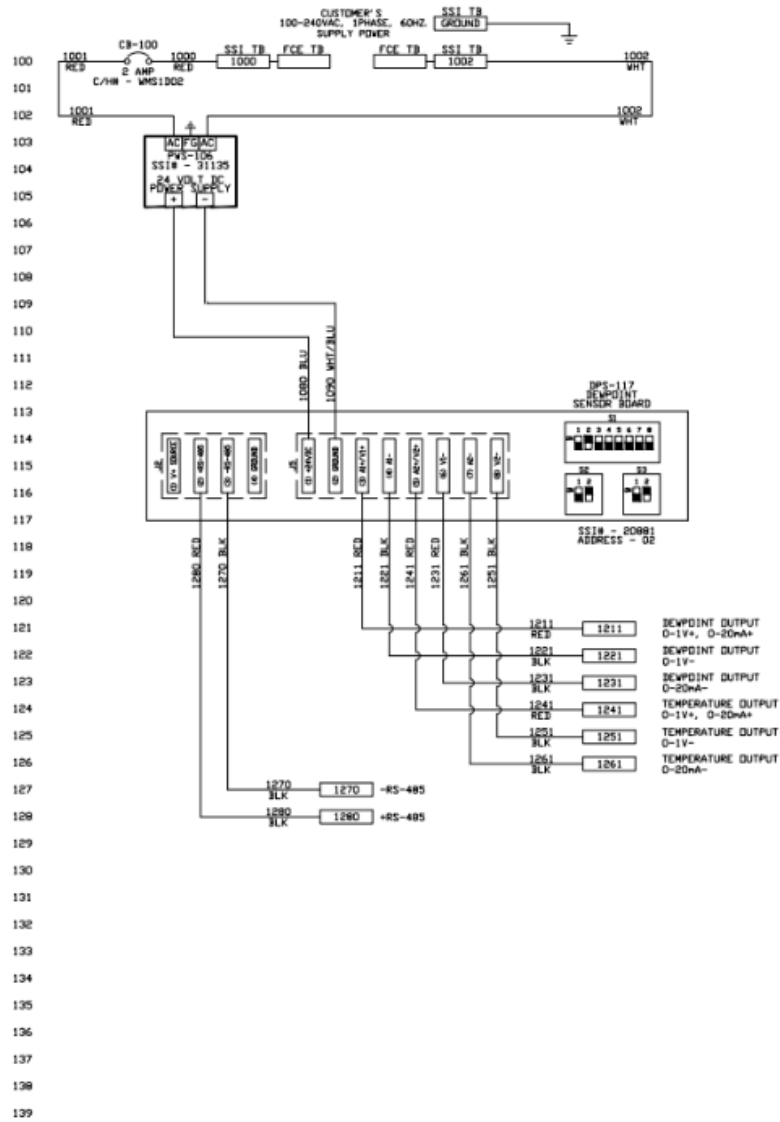
2 Amp Circuit Breaker	
24 VDC, 3.2 AMP, 75 WATT POWER SUPPLY	
Positive Negative Ground	120V 1 PHASE 60 Hz SUPPLY POWER
Positive	24 VDC
Negative	24 VDC
Positive	0-1V, 0-20mA DEWPOINT OUTPUT
Negative	0-1V DEWPOINT OUTPUT
Negative	0-20mA DEWPOINT OUTPUT
Positive	0-1V, 0-20mA TEMPERATURE OUTPUT
Negative	0-1V TEMPERATURE OUTPUT
Negative	0-20mA TEMPERATURE OUTPUT
Negative	RS-485
Positive	



Simple Dew Digital Dew Point Analyzer Operations Manual



Appendix F: Electrical Schematic



ENCLOSURE SPECIFICATIONS	
INPUT VOLTAGE	100 - 240 VAC
MAXIMUM CURRENT	0.025A @ 120VAC
ENCLOSURE WEIGHT	TBD

- RECOMMENDED SPARE PARTS LIST
- DEWPOINT SENSOR - P/N-A20881
 - POWER SUPPLY - P/N-31135
 - FILTER HOUSING - P/N-37048
 - FILTER ELEMENT - P/N-31027